

Technical Update

QuadraKey™ Cards — Dimensions and Slot Punching

Slot Punch Tools

The slot punch tools are adjustable so that the user can set the depth of the punch. The QuadraKey cards accommodate a maximum punch depth of 0.2495 inches. The slot punch tool must be appropriately configured.

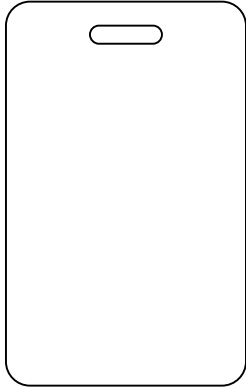
Part Number	Description
CP-2	Desktop Manual Card Punch
CP6	70 MIL Desktop Manual Card Punch
CP7	Desktop Card Punch

Cards

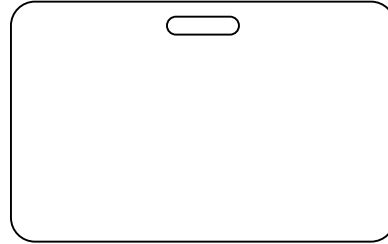
Part Number	Description	Portrait / Vertical Punch Possible?	Landscape / Horizontal Punch Possible?	Dimensions	Recommended Slot Punch Tool Part Number(s)
92040025000	QuadraKey card with magnetic stripe	Yes	Yes	2.127" x 3.380" x 0.033"	CP-2, CP6, CP7
92940025300	QuadraKey with magnetic stripe and no logo				
92940025400	QuadraKey card with no magnetic stripe				
92950025400	Thicker QuadraKey with no magnetic stripe	Yes	Yes	2.127" x 3.380" x 0.47"	CP6
92040035300	QuadraKey card with 1k Mifare	Yes	No	2.127" x 3.380" x 0.033"	CP-2, CP6, CP7
92040200000	NexKey digital proximity card w/ blue skin and NexKey logo	Pre-punched	No	2.125" x 3.380" x 0.065"	Not applicable
92040201000	NexKey digital proximity card w/ white skin and NexKey logo				

Definition of Terms

Example of a portrait / vertical punch:

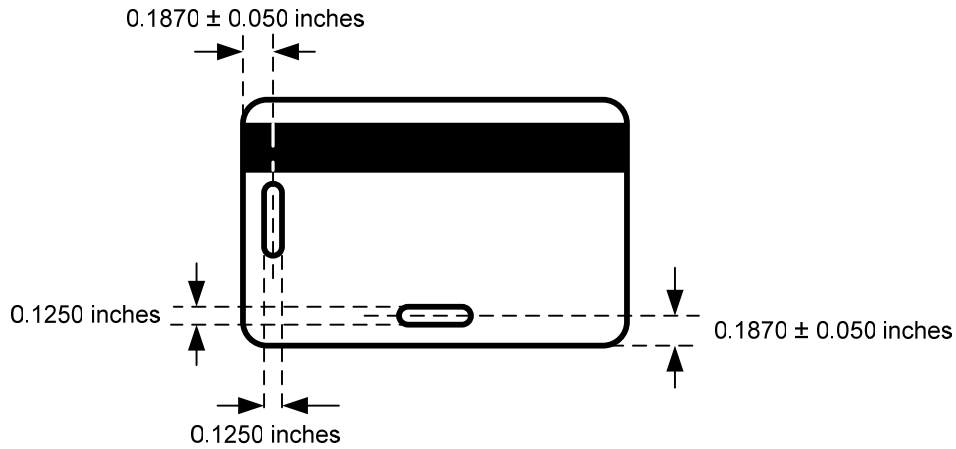


Example of a landscape / horizontal punch:



Slot Punch Locations & Dimensions

Cards with magnetic stripe:



Cards with no magnetic stripe:

