

NR-5-KP Swipe/Keypad Reader Wiring

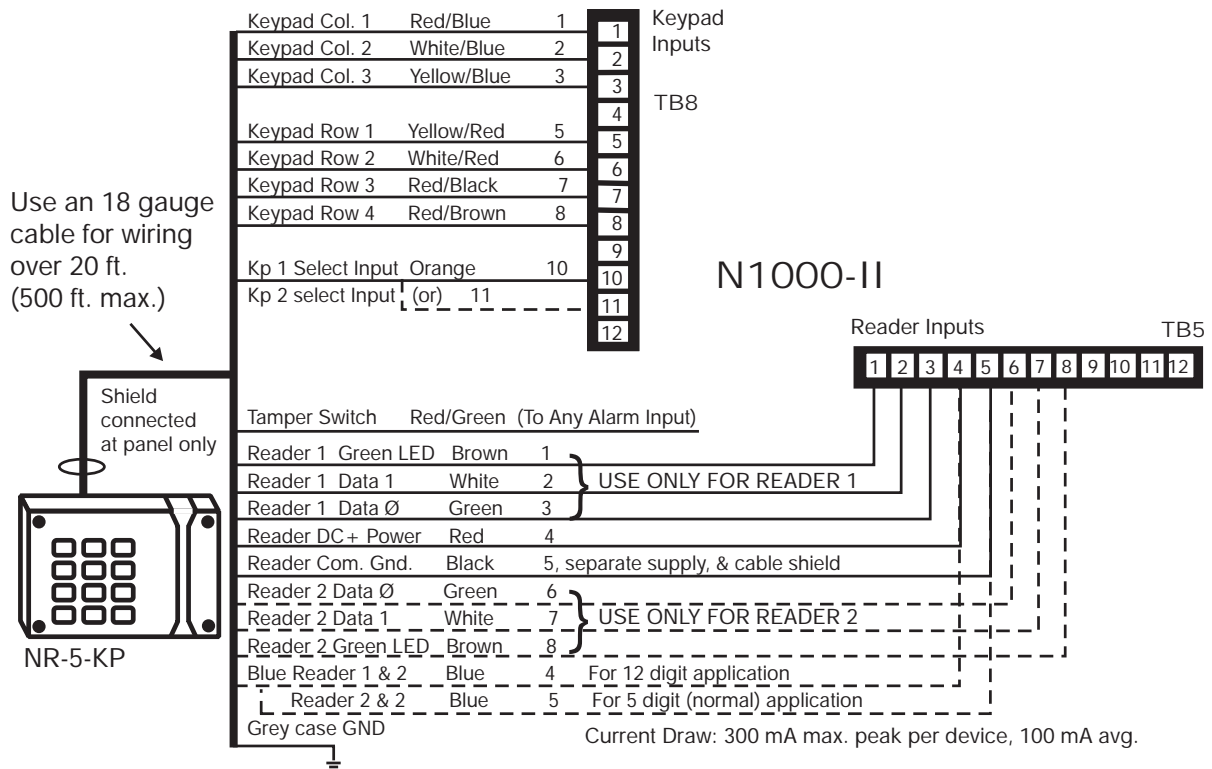
The NR-5-KP is a one piece indoor/outdoor magnetic stripe swipe card and keypad reader combination. Two of these units can be used on a single panel. As with all keypads, hit the pound (#) key after code entry. The star (*) key can be used to clear an entry. Initialize panel for appropriate Pin Keypad operation.

The NR-5-KP requires 5 VDC at 40 ma typical.

LED operation: When used in 5 digit applications the LED's normal state is GREEN. Upon valid card read, LED changes to RED for a default of two seconds. With the M Option initialized in the N-1000 panel, the LED color scheme is reversed. The LED operation for 12 digit applications is opposite of the 5 digit applications.

The Reader/Keypad wires should be shielded (connect the shield at the panel) as per the panel wiring instructions and kept at least 12 inches from door strike wires and other high voltage wires, etc.

Note: This keypad cannot be used with the N-1000-II when the AEP-5 Supervised Alarm Point Board is used. For 12 digit applications reading ABA format track 2: Connect Blue wire to TB5-4 (or on the N-1000 IV connect to + 5v).



Headquarters:

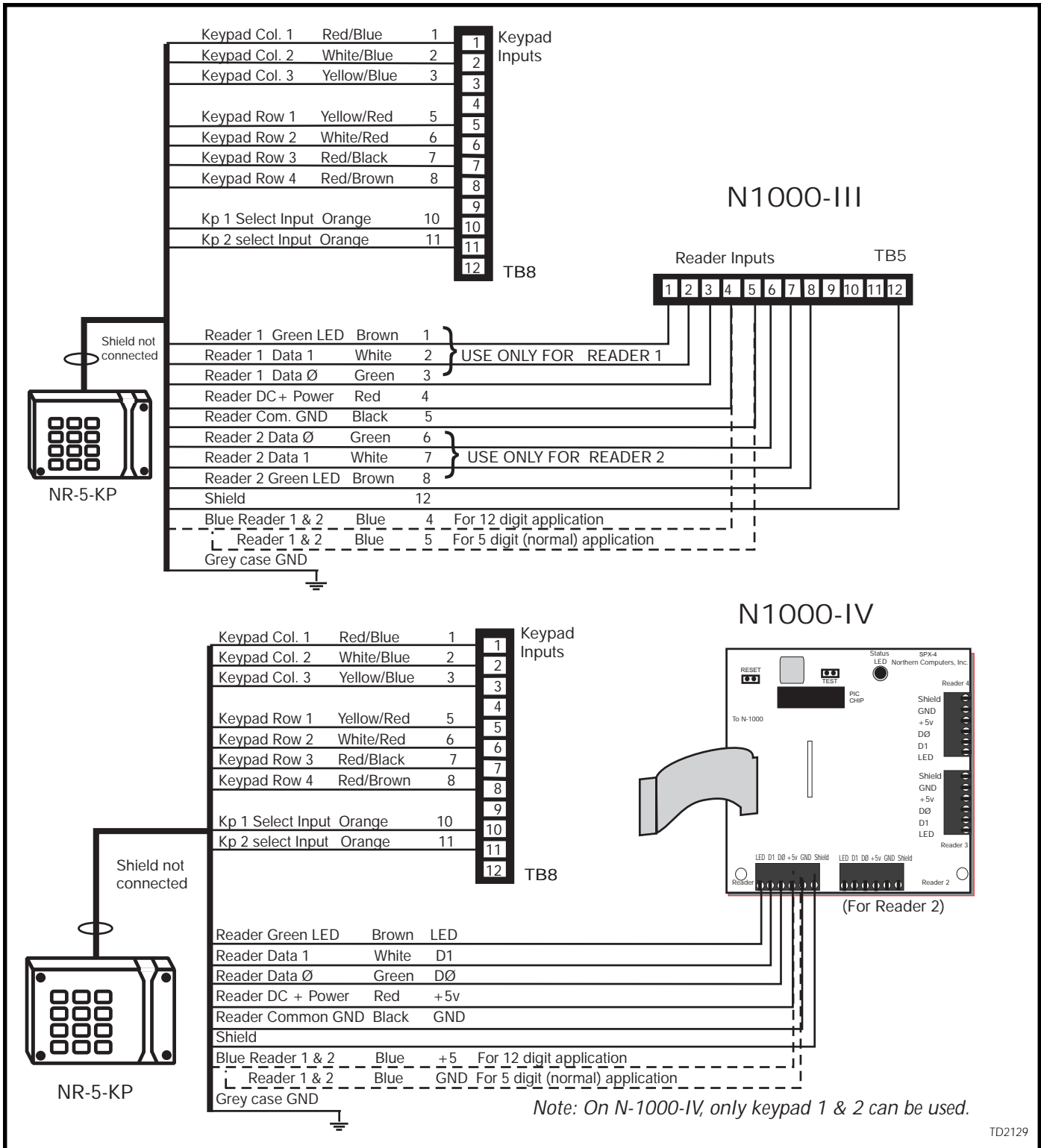
5007 S. Howell Ave.
 Milwaukee, WI 53207 USA
 Tel: 1 (414) 769-5980
 Fax: 1 (414) 769-5989
 or 1 (414) 769-5996 (Int'l)

Worldwide Locations:

- Waterloo, Australia
 Tel: (612) 9699-3700 • Fax: (612) 9699-3101
- Sao Paulo, Brazil
 Tel: (55) (11) 826-4944 • Fax: (55) (11) 826-0649
- Montreal, Quebec, Canada
 (514) 933-3363 • Fax: (514) 933-3447

- La Verriere, France
 Tel: (33) 1-30-13-03-93 • Fax: (33) 1-30-13-03-90
- Quito, Ecuador
 Tel: (593) (2) 265-588-91 • Fax: (593) (2) 461-379
- Hong Kong
 Tel: (852) 2528-1897 • Fax: (852) 2528-4599

- Mexico City, Mexico
 Tel: (52) (5) 280-7890 • Fax: (52) (5) 280-8555
- Moscow, Russia
 Tel: (7) 095-723-2626 • Fax: (7) 095-956-5428
- Crawley, Sussex, United Kingdom
 Tel: (44) 1293-552599 • Fax: (44) 1293-523061



Northern Computers, Inc.

Specifications subject to change

Headquarters:

5007 S. Howell Ave.
Milwaukee, WI 53207 USA
Tel: 1 (414) 769-5980
Fax: 1 (414) 769-5989
or 1 (414) 769-5996 (Int'l)

Worldwide Locations:

- Waterloo, Australia
Tel: (612) 9699-3700 • Fax: (612) 9699-3101
- Sao Paulo, Brazil
Tel: (55) (11) 826-4944 • Fax: (55) (11) 826-0649
- Montreal, Quebec, Canada
(514) 933-3363 • Fax: (514) 933-3447

- La Verriere, France
Tel: (33) 1-30-13-03-93 • Fax: (33) 1-30-13-03-90
- Quito, Ecuador
Tel: (593) (2) 265-588-91 • Fax: (593) (2) 461-379
- Hong Kong
Tel: (852) 2528-1897 • Fax: (852) 2528-4599

- Mexico City, Mexico
Tel: (52) (5) 280-7890 • Fax: (52) (5) 280-8555
- Moscow, Russia
Tel: (7) 095-723-2626 • Fax: (7) 095-956-5428
- Crawley, Sussex, United Kingdom
Tel: (44) 1293-552599 • Fax: (44) 1293-523061



TECHNICAL BULLETIN

August 1998; Rev. 1.0 page 3 of 3

NR-5-KP WIRING: PANEL CONNECTIONS:

Wire Color	Function	N-1000-II		N-1000-III		N-1000-IV	
		NR-5-KP (1)	NR-5-KP (2)	NR-5-KP (1)	NR-5-KP (2)	NR-5-KP (1)	NR-5-KP (2)
Red	+5V power input	TB5-4	TB5-4	TB5-4	TB5-4	Rdr1 +5V	Rdr2 +5V
Black	Ground	TB5-5	TB5-5	TB5-5	TB5-5	Rdr1 GND	Rdr2 GND
White	Wiegand data '1' output	TB5-2	TB5-2	TB5-2	TB5-2	Rdr1 D1	Rdr2 D1
Green	Wiegand data '0' output	TB5-3	TB5-3	TB5-3	TB5-3	Rdr1 D0	Rdr2 D0
Brown	LED input	TB5-1	TB5-1	TB5-1	TB5-1	Rdr1 LED	Rdr2 LED
Blue (5 digit)	Rdr format select input	TB5-5	TB5-5	TB5-5	TB5-5	Rdr1 GND	Rdr2 GND
Blue (12 digit)		TB5-4	TB5-4	TB5-4	TB5-4	Rdr1 +5v	Rdr2 +5v
Orange	Keypad select input	TB8-10	TB8-11	TB8-10	TB8-11	TB8-10	TB8-11
Yellow/Red	Keypad row 1 output	TB8-5	TB8-5	TB8-5	TB8-5	TB8-5	TB8-5
White/Red	Keypad row 2 output	TB8-6	TB8-6	TB8-6	TB8-6	TB8-6	TB8-6
Red/Black	Keypad row 3 output	TB8-7	TB8-7	TB8-7	TB8-7	TB8-7	TB8-7
Red/Brown	Keypad row 4 output	TB8-8	TB8-8	TB8-8	TB8-8	TB8-8	TB8-8
Red/Blue	Keypad column 1 output	TB8-1	TB8-1	TB8-1	TB8-1	TB8-1	TB8-1
White/Blue	Keypad column 2 output	TB8-2	TB8-2	TB8-2	TB8-2	TB8-2	TB8-2
Yellow/Blue	Keypad column 3 output	TB8-3	TB8-3	TB8-3	TB8-3	TB8-3	TB8-3
Grey	Case ground	Earth GND	Earth GND	Earth GND	Earth GND	Earth GND	Earth GND
Screen/cable	Shield	TB5-5	TB5-5	TB5-12	TB5-12	Rdr1 Shield	Rdr2 Shield
Yellow	Not Connected						
Violet	Not Connected						
Pink	Not Connected						
Turquoise	Not Connected						
Green/Red	Not Connected						

* Note the F Command M Option (Available in Panel Firmware version 6.03, 8.00.09 and higher).

Text File Instructions: Example #1: Format command to read first 12 digits of card:

_F= pn_M_1_2_3_4_5_6_7_8_9_10_11_12 (_ = a space, a leading space is required; pn= panel number, this could be a zero). Example #2: Format command to read digits 4 through 8 of the card:

_F= pn_M_0_0_0_0_0_0_0_4_5_6_7_8 (_ = a space, a leading space is required; pn= panel number, this could be a zero).

TD2129

Northern Computers, Inc.

Specifications subject to change

Headquarters:

5007 S. Howell Ave.
Milwaukee, WI 53207 USA
Tel: 1 (414) 769-5980
Fax: 1 (414) 769-5989
or 1 (414) 769-5996 (Int'l)

Worldwide Locations:

- Waterloo, Australia
Tel: (612) 9699-3700 • Fax: (612) 9699-3101
- Sao Paulo, Brazil
Tel: (55) (11) 826-4944 • Fax: (55) (11) 826-0649
- Montreal, Quebec, Canada
(514) 933-3363 • Fax: (514) 933-3447

- La Verriere, France
Tel: (33) 1-30-13-03-93 • Fax: (33) 1-30-13-03-90
- Quito, Ecuador
Tel: (593) (2) 265-588-91 • Fax: (593) (2) 461-379
- Hong Kong
Tel: (852) 2528-1897 • Fax: (852) 2528-4599

- Mexico City, Mexico
Tel: (52) (5) 280-7890 • Fax: (52) (5) 280-8555
- Moscow, Russia
Tel: (7) 095-723-2626 • Fax: (7) 095-956-5428
- Crawley, Sussex, United Kingdom
Tel: (44) 1293-552599 • Fax: (44) 1293-523061