



F E A T U R E S

WIN-PAK™ PRO integrates the most advanced security technologies with innovative networking capabilities to bring you a full-featured security solution that serves any size facility. This 32-bit integrated Access Control, alarm monitoring, CCTV and badging system runs on Windows 2000 or NT 4.0, taking full advantage of the operating system's security model. Multiple communication servers on a LAN/WAN provide distributed networking capabilities, improving system performance. Flexible database architecture uses the Microsoft Data Engine (MSDE), Microsoft SQL Server 2000 or SQL Server 7 for more robust performance and expedient transaction processing. The software can also support multiple accounts, allowing each operator separate access to the card database, badge layout and reporting.

Operators can control the pan, tilt and zoom of CCTV cameras from the floor plan view. They can see the entire floor at a glance, and view area details at the same time.

WIN-PAK™ PRO provides a high performance security management solution that combines a fully integrated badging interface with GUI-based and alarm map monitoring capabilities. In addition, WIN-PAK™ PRO offers the following benefits and features:

- CCTV control interface
- Database filtering of accounts
- Flexible operator permission scheme
- Global event processor
- Global anti-passback processing
- Visual hardware configuration panel
- Door/point grouping
- Real-time monitors
- History reports based on device or cardholder
- On-line help
- Third party report generator supported
- Simple hardware configuration
- Multiple communication servers via LAN/WAN connection
- Microsoft Data Engine (MSDE), Microsoft SQL Server 2000 or SQL Server 7
- Multiple accounts via LAN/WAN, dial-up or direct connect
- Up to 255 dial-up or direct connect communication ports per COM Server
- Virtually unlimited reader and I/O capacity
- Door Control Mode
- Up to 128 readers per communications port using PRO-2200 Series controllers
- Integrated CCTV control, video imaging & card badging
- Dynamic floor plan graphics with multiple maps
- Camera control display with floor plan
- Smart scheduling for dial-up and dial-back from remote location
- Card locate
- Import bitmap files (.bmp) for photos/backdrops and Windows Metafiles (.wmf) for floor plans
- Bulk card add and bulk card delete
- Muster and In/Out tracking report
- Card activation/deactivation by day/month/year
- Compatible with PW-2000 series control panels and PRO-2200 series controllers
- Prints both front and back on PVC style cards of any standard technology
- Systems available for UL1076 applications



WIN-PAK™ PRO ACCESS CONTROL SOLUTIONS

BENEFITS

- Complete access control system running on Windows 2000® or NT 4.0
- 32-bit, multi-threaded application capable of utilizing multiple processor servers and workstations as supported by the operating system
- Supports direct TCP/IP connection to control panels eliminating the need for costly multi-port boards
- Multiple communication servers on LAN/WAN provides distributed networking capabilities, improving system performance and increasing capacity
- Supports multiple accounts allowing separate access to the card database, badge layout, operator access, reporting, and account-sensitive operator rights

Access Control (using PRO-2200)

- Cardholder capacity:
 - Unlimited with WIN-PAK™ PRO software host grant feature
 - 50,000 per PRO221C with optional memory expansion
- Clearance codes: 32 per cardholder
- Time zones: Unlimited with WIN-PAK™ PRO software / 16 per PRO-2200 with 12 intervals in each
- Holidays: 255
- On-line transaction storage: Limited only by drive space
- Controllers: 2,040 hardwired per COM server
- Readers: 32,640 per COM server
- Elevator control: Up to 112 floors & 255 definitions

Alarm Monitoring

- Monitor points: 261,120 per communications server
- Operators/passwords: Unlimited
- 40 User-defined cardholder data fields per account
- Sound files played per event status

Reporting & Operating

- Operator instructions: Definable per alarm point & state
- Reports: Defaulted with WIN-PAK™ PRO software / user definable via Crystal Reports
- Graphical map import: WMF

Technology Support

- Proximity
- Wiegand
- Keypad
- Magnetic Stripe
- Barcode
- Biometrics (Hand & Fingerprint)
- Card and PIN

Standard Features

- Access control
- System and activity monitoring
- Database management
- Database & event reporting
- Map manager
- Floor plans
- Video verification
- Mustering & tracking
- CCTV integration

Other

- **Interface:** Complies with Microsoft interface guidelines
- **Database engines:** MSDE (standard) SQL (optional)
- **Networking protocols:** TCP/IP
- **Door control modes:** Disable, unlock, locked, no access egress only, facility code only, card only, card & PIN, card or PIN, or PIN only

Hardware Basics

Minimum Requirement Configuration

This setup is sufficient for small systems with 1 to 10 readers, up to 250 cards and 2 communication ports. This configuration works well for a workstation, but is not sufficient for use as a WIN-PAK™ PRO server.

- Pentium II-233 MHz CPU
- 128 megabytes of RAM
- 2.1 gigabyte hard drive
- 2 serial communication ports
- Tape backup drive
- 2 button mouse (PS2 mouse preferred)
- 15" SVGA color monitor (1024 x 768, 256 color)
- 1 parallel port (2 for badging)
- 16X CDROM minimum
- Microsoft Windows 2000 Professional Server, Advanced Server with Service Pack 1 (requires 256 megabytes of RAM), Windows NT 4.0 Service Pack 6a, or Windows 98SE (workstation only)
- MSDE (included)

Recommended Configuration

This is the recommended hardware configuration for basic access control, including badging. For systems with 1 to 100 readers, up to 5,000 cards and up to 8 communication ports. It can be used for a stand-alone system, a workstation or a WIN-PAK™ PRO server. However, additional RAM will improve performance.

- Pentium III-700 MHz CPU
- 256 megabytes of RAM
- 6.4 gigabyte SCSI hard drive
- 2 serial communication ports
- 8 gigabyte SCSI tape backup drive
- 2 button mouse (PS2 mouse preferred)
- 17" SVGA color monitor (1024 x 768, true-color)
- 1 parallel port (2 for badging)
- 16X CDROM minimum
- Sound card with speakers
- Microsoft Windows 2000 Professional, Server, Advanced Server with Service Pack 1, Windows NT 4.0 Service Pack 6a
- MSDE (included) or high capacity systems SQL Server 2000 (optional)

WIN-PAK™ PRO ACCESS CONTROL SOLUTIONS

Hardware Basics (cont'd)

Performance Configuration

This configuration is recommended for systems using more than 16 communication ports. It is suitable for systems using maximum reader and card capacity, up to 25,000 cards and 64 communications ports. It is ideal for a large stand-alone system or a WIN-PAK™ PRO server.

- Pentium III-1 GHz CPU (multiple processors)
- 512 megabytes of RAM
- 18.4 gigabyte SCSI hard drive
- 64 serial communication ports
- 20 gigabyte SCSI tape backup drive
- 2 button mouse (PS2 mouse preferred)
- 19" 1280 x 1024 true-color monitor
- 1 parallel port (2 for badging; badging should be done on workstation)
- 16X CDROM minimum
- Sound card with speakers
- Microsoft Windows 2000 Professional, Server, Advanced Server with Service Pack 1, Windows NT 4.0 Service Pack 6a
- SQL Server 2000 (required option)

Note: Consult factory for higher capacity system configuration

Recommended Components

Controllers

- PRO-2200 Intelligent Controller (PRO22IC)
 - PRO-2200 Single Reader Module (PRO22R1)
 - PRO-2200 Dual Reader Module (PRO22R2)
 - PRO-2200 Sixteen Relay Output Module (PRO22OUT)[†]
 - PRO-2200 Sixteen Alarm Input Module (PRO22IN)
- [†] Only 12 relay outputs are available when using the PRO22ENC1, PRO22ENC2 & PRO22ENC5 enclosure

Communication Devices

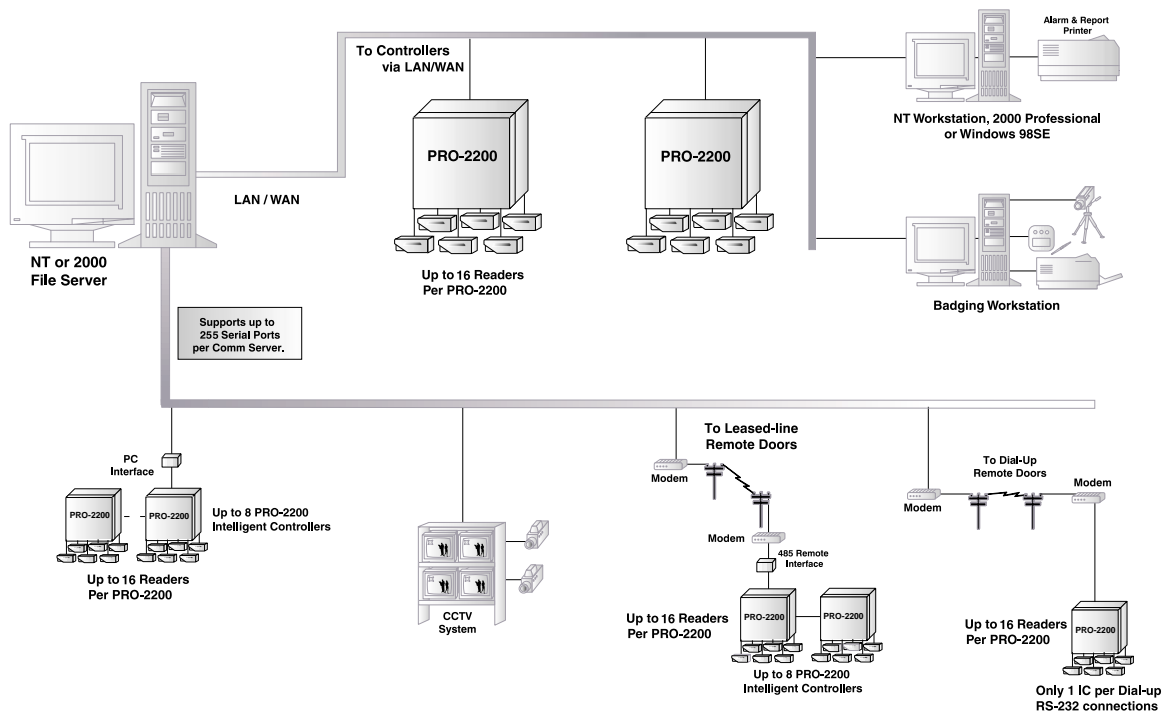
- Ethernet Daughter Board (PRO22EN) for TCP/IP Ethernet communication
- RS-232 to RS-485 single port converter (PRO22CVT1)
- PRO-2200 power/communication daisy chain harness (PRO22DCC) for the PRO22ENC1, PRO22ENC2 and PRO22ENC5



BENEFITS:

- Convenient software package that monitors and controls doors, alarm points and cameras from multiple views
- Multiple cards assigned to a cardholder allows other card technologies to be used by the same cardholder (e.g., vehicle I.D. and swipe card technology)
- 40 user-defined note fields are available for each card holder per account providing more information for authorized system operators
- User-friendly autocard lookup provides immediate and detailed information to enable a quick response to each card read or each card presentation
- Alarms and devices routed to a specified operator for immediate and efficient response

WIN-PAK PRO CONFIGURATION



ORDERING INFORMATION

Order #	Description
---------	-------------

WIN-PAK™ PRO Management System

- | | |
|------------|--|
| WPPAC201 | Up to 5 users, File Server Access Control System; includes Software, Computer, Printer and Panel Communications Device |
| WPPAC201-S | Up to 5 users, File Server Access Control System with SQL; includes Software, Computer, Printer and Panel Communications Device |
| WPPAC202 | Up to 5 users; File Server Access Control System includes Software and Computer |
| WPPAC202-S | Up to 5 users, File Server Access Control System with SQL; includes Software and Computer |
| WPPFS201 | Up to 10 users, File Server Access Control System; includes Software, Computer, Printer and Panel Communications Device |
| WPPFS201-S | Up to 10 users, File Server Access Control System with SQL; includes Software, Computer, Printer and Panel Communications Device |
| WPPFS202 | Up to 10 users; File Server Access Control System includes Software and Computer |
| WPPFS202-S | Up to 10 users, File Server Access Control System with SQL; includes Software and Computer |
| WPPWS201 | Client Computer |
| WPPWS205 | Badging Client Computer includes Video Capture Card |
| WPPWS225 | Badging Client Computer includes Video Capture Card, Camera & Image Magicard Express Printer |
| WPPWS227 | Badging Client Computer includes Video Capture Card, Camera & ImageCard Turbo Printer |
| WPPWS227DM | Badging Client Computer includes Video Capture Card, Camera and Magicard Turbo Printer (Duplex and Magstripe) |
| WPPWS227DO | Badging Client Computer includes Video Capture Card, Camera and Magicard Turbo Printer (Duplex Only) |
| WPPWS227MO | Badging Client Computer includes Video Capture Card, Camera and Magicard Turbo Printer (Magstripe Only) |

PW-2200 Controllers

- | | |
|----------|--------------------------------------|
| PRO22IC | PRO-2200 Intelligent Controller |
| PRO22R1 | PRO-2200 Single Reader Module |
| PRO22R2 | PRO-2200 Dual Reader Module |
| PRO22OUT | PRO-2200 Sixteen Relay Output Module |
| PRO22IN | PRO-2200 Sixteen Alarm Input Module |
| PRO22EN | PRO-2200 Network Interface Module |

PRO-Series Enclosures

- | | |
|-----------|---|
| PRO22ENC1 | (Wall-mount) Capacity: Nine modules. Power supply and battery not included |
| PRO22ENC2 | (19" Rack-mount) Capacity: Nine modules. Power supply and battery not included |
| PRO22ENC3 | (Tile-mount) Capacity: Two modules. Power supply and battery included |
| PRO22ENC4 | (Tile-mount) Capacity: One module (PRO22R1 only). Power supply and battery included |
| PRO22ENC5 | (Cage only for custom enclosures) Capacity: Nine modules. Power supply and battery not included |

Communications

- | | |
|-----------|---|
| PRO22EN | Ethernet daughter board for TCP/IP communication |
| PRO22CVT1 | RS-232 to RS-485 single port converter |
| PRO22DCC | PRO-2200 power / communication daisy chain harness for PRO22ENC1, PRO22ENC2 and PRO22ENC5 |

Hardwired Kits

- | | |
|-----------|---|
| PRO22E1IC | Includes: PRO22ENC1, PRO22IC, PRO22E1PS, PRO22BAT1 and PRO22DCC |
| PRO22E2IC | Includes: PRO22ENC2, PRO22IC, PRO22E1PS, PRO22BAT1 and PRO22DCC |

Network Kits:

- | | |
|-----------|--|
| PRO22E1EN | Includes: PRO22ENC1, PRO22IC, PRO22EN, PRO22E1PS, PRO22BAT1 and PRO22DCC |
| PRO22E2EN | Includes: PRO22ENC2, PRO22IC, PRO22EN, PRO22E1PS, PRO22BAT1 and PRO22DCC |

5007 South Howell Avenue
 Milwaukee, WI 53207
 414 769-5980
 414 769-5989 Fax
<http://www.nciaccess.com>
<http://www.engsysgroup.com>

Use  online @ www.nciaccess.com

